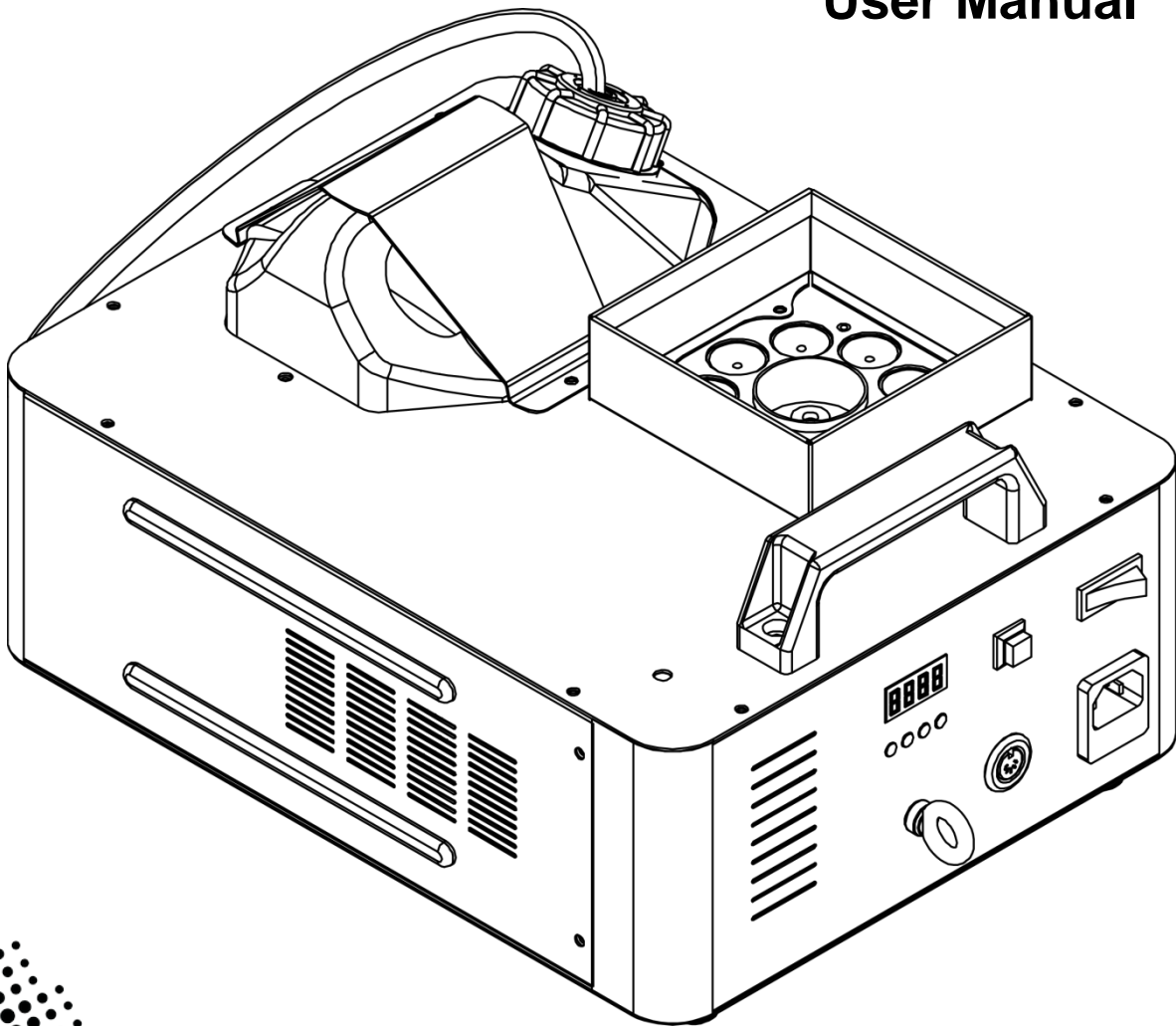


GEYSER™ RGBJR



User Manual



CHAUVET®
It's
Green Thinking.™

TABLE OF CONTENTS

1. Before You Begin	3
What is Included	3
Unpacking Instructions	3
Claims	3
Text Conventions	3
Symbols	3
Disclaimer	3
Product at a Glance	4
Safety Notes	4
2. Introduction	5
Overview	5
Dimensions	6
3. Setup	7
AC Power	7
Fuse Replacement	7
Mounting	8
Orientation	8
Rigging	8
Tank Inversion for Inverted Mounting	10
4. Operation	11
Control Panel Operation	11
Menu Map	11
Configuration (Standalone)	12
Wireless Remote Control	12
Programmable Color Selection	12
5. Technical Information	13
Fogger Maintenance	13
Storage	13
6. Technical Specifications	14
Returns	15
Contact Us	15

1. BEFORE YOU BEGIN

What is Included

- Geysler™ RGB Jr.
- Geysler™ Wireless Remote Control
- Geysler™ Wired Remote Receiver
- Power Cord
- Warranty Card
- Quick Reference Guide

Unpacking Instructions

Carefully unpack the product immediately and check the container to make sure all the parts are in the package and are in good condition.

Claims




If the box or the contents (the product and included accessories) appear damaged from shipping, or show signs of mishandling, notify the carrier immediately, not CHAUVET®. Failure to report damage to the carrier immediately may invalidate your claim. In addition, keep the box and contents for inspection.

For other issues, such as missing components or parts, damage not related to shipping, or concealed damage, file a claim with CHAUVET® within 7 days of delivery.

Text Conventions

Convention	Meaning
1–512	A range of values
50/60	A set of values of which only one can be chosen
Settings	A menu option not to be modified
Menu > Settings	A sequence of menu options to be followed
<ENTER>	A key to be pressed on the product's control panel
ON	A value to be entered or selected

Symbols

Symbol	Meaning
	Critical installation, configuration, or operation information. Not following these instructions may make the product not work, cause damage to the product, or cause harm to the operator.
	Important installation or configuration information. The product may not function correctly if this information is not used.
	Useful information.

Disclaimer

The information and specifications contained in this User Manual are subject to change without notice. CHAUVET® assumes no responsibility or liability for any errors or omissions, and reserves the right to revise or recreate this manual at any time. Download the latest version from www.chauvetlighting.com.

© Copyright 2013 CHAUVET®. All rights reserved.

Electronically published by CHAUVET® in the United States of America.

Author	Date	Editor	Date
A. Leon	11/06/13	D. Coupe	11/06/13

Product at a Glance

Use on Dimmer	X	Auto Programs	P
Outdoor Use	X	Fixed voltage (120 V or 230 V)	P
Sound-Activated	X	Replaceable Fuse	P
DMX	X	User-Serviceable	X
Master/Slave	X		

Safety Notes

These notes include important information about the mounting, usage, and maintenance of this product; read before using the product.



- Always connect the product to a grounded circuit to avoid the risk of electrocution.
- Always disconnect the product from the power source before cleaning or replacing the fuse.
- Avoid direct eye exposure to the light source while the product is on.
- Make sure the power cord is not crimped or damaged.
- Never disconnect the product from power by pulling or tugging on the cord.
- If mounting the product overhead, always secure to a fastening device using a safety cable.
- Make sure there are no flammable materials close to the product when operating.
- Do not touch the product's housing when operating because it may be very hot.
- Do not mount the product on a flammable surface (linoleum, carpet, wood, paper, carton, plastic, etc.).
- The product's nozzle is very hot during operation and it remains hot for a long time after operation has stopped.
- The fog exits the nozzle at a very high temperature. Keep a minimum distance of 6.5 ft (2 m) from the nozzle to the nearest object.
- Do not use the product as a space heater.
- Do not drink or become in contact with the fog fluid. If you do, call your local emergency service (911 in the US) for help.
- Do not add perfume, alcohol, gasoline, or any other flammables to the fog fluid.



- Always make sure that the voltage of the outlet to which you are connecting the product is within the range stated on the decal or panel of the product.
- The product is for indoor use only! (IP20) To prevent risk of fire or shock, do not expose the product to rain or moisture.
- Always install the product in a location with adequate ventilation, at least 20 in (50 cm) from adjacent surfaces.
- Be sure that no ventilation slots on the product's housing are blocked.
- Make sure there is adequate fog fluid in the machine to prevent pump and heater damage.
- Never connect the product to a dimmer.
- Make sure to replace the fuse with another of the same type and rating.
- Never carry the product by the power cord or any moving part. Always use the handles.
- The maximum ambient temperature (Ta) is 104 °F (40 °C). Do not operate the product at higher temperatures.
- In the event of a serious operating problem, stop using the product immediately.
- Never try to repair the product. Repairs carried out by unskilled people can lead to damage or malfunction. Contact the nearest authorized technical assistance center.
- This product is not intended for permanent installation.
- Use only CHAUVET® water-based fog fluid.
- Drain the tank before transporting the product.



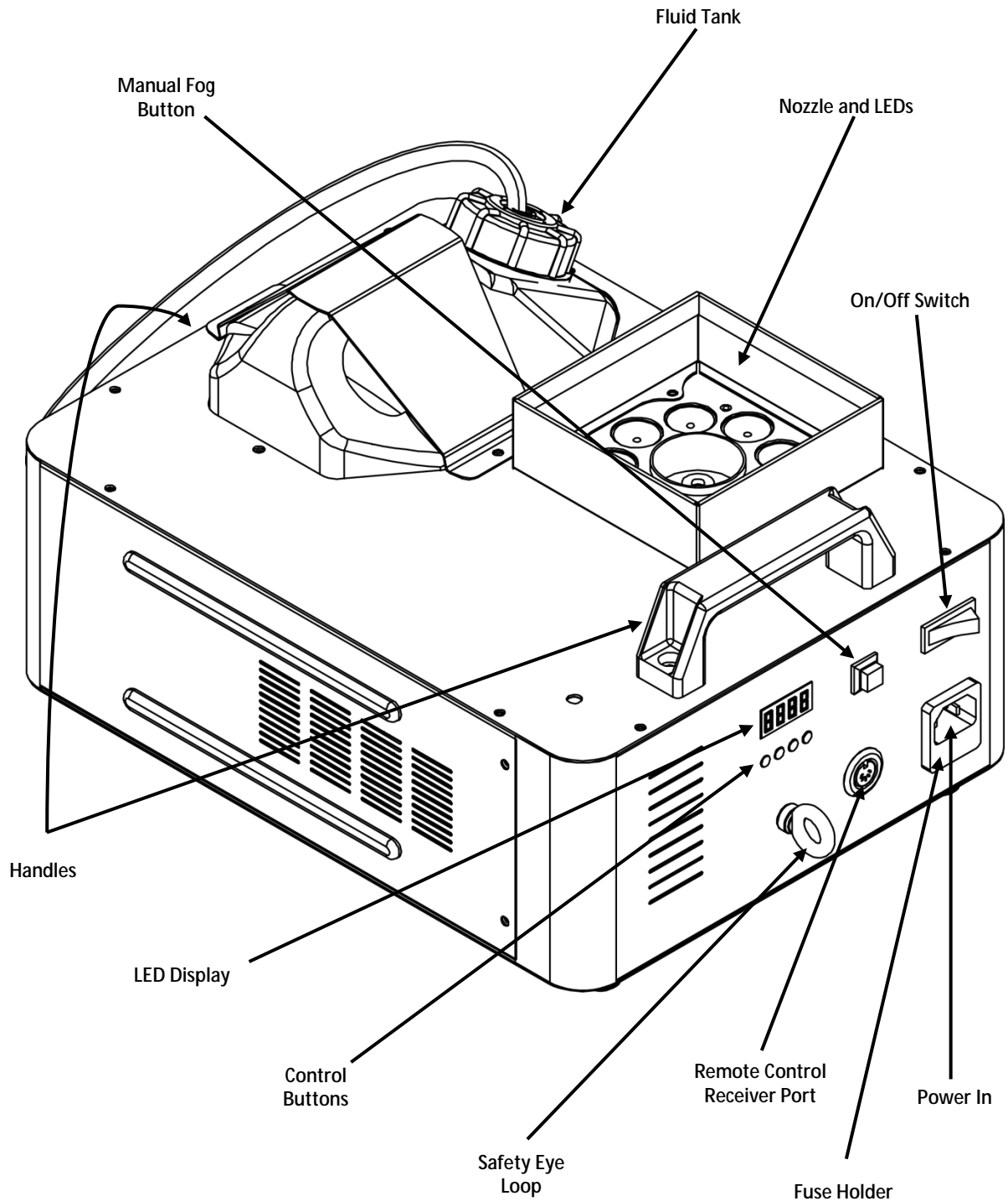
- Keep this User Manual for future use. If you sell the product to another user, be sure to give this document to the next owner.



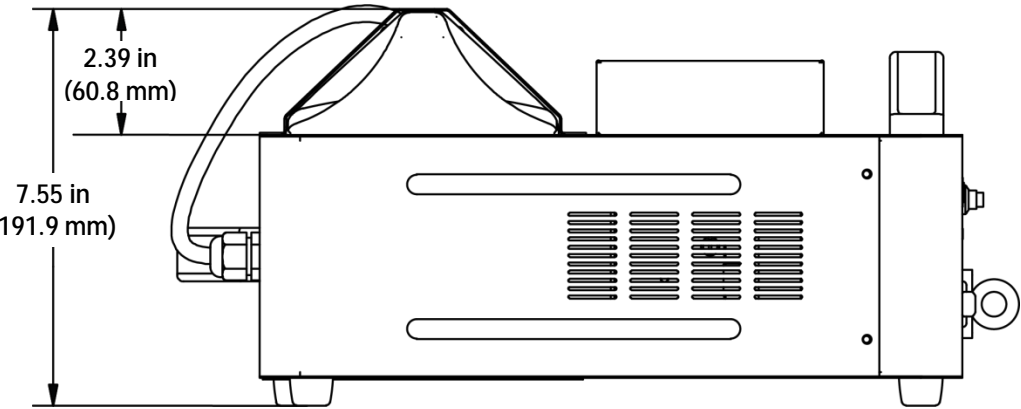
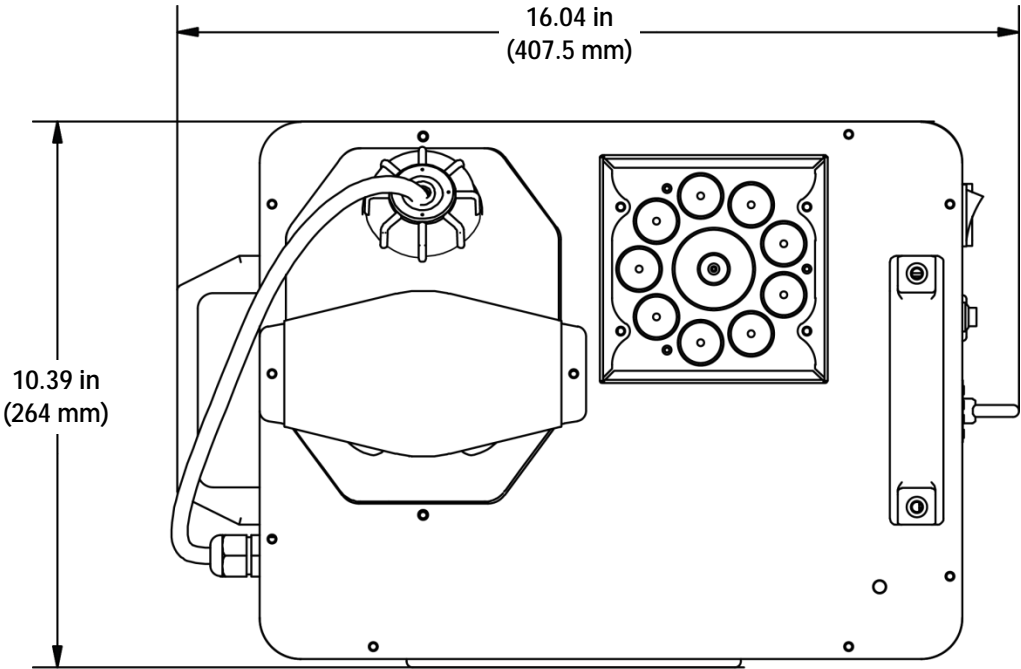
- Fog Cleaner Quart (FCQ) was specifically developed by CHAUVET® to clean your Geyser™ RGB Jr. Make sure you use FCQ regularly to increase the life of your fogger.

2. INTRODUCTION

Overview



Dimensions



3. SETUP

AC Power The Geyser™ RGB Jr. has a fixed voltage power supply and it can work with an input voltage of either 120 VAC, 60 Hz or 230 VAC, 50 Hz, depending on the specific model. To determine the product's power requirements (circuit breaker, power outlet, and wiring), use the current value listed on the label affixed to the product's panel, or refer to the product's specifications chart. The listed current rating indicates the product's average current draw under normal conditions.



Always connect the product to a protected circuit (circuit breaker or fuse). Make sure the product has an appropriate electrical ground to avoid the risk of electrocution or fire.



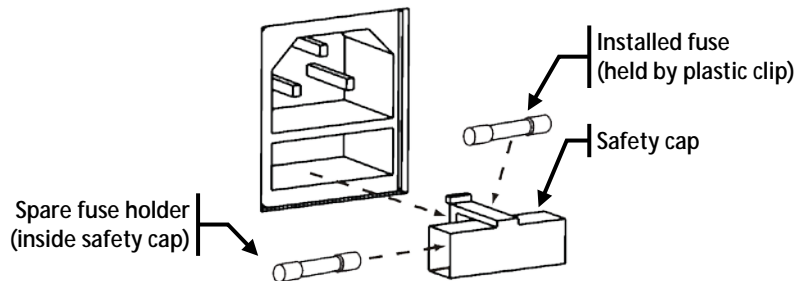
Never connect the product to a rheostat (variable resistor) or dimmer circuit, even if the rheostat or dimmer channel serves only as a 0–100% switch.

Fuse Replacement



Disconnect the product from power before replacing the fuse.

1. Disconnect the product from power.
2. Wedge the tip of a flat-head screwdriver into the slot of the fuse holder.
3. Pry the fuse holder out of the housing.
4. Remove the blown fuse from the holder.
5. Replace with a fuse of the exact same type and rating.
6. Insert the fuse holder back in place and reconnect power.



A spare fuse is not included; however, the safety cap has room for a spare.



Always replace a blown fuse with another of the same type and rating.

Mounting Before mounting the product, read and follow the safety recommendations indicated in the [Safety Notes](#).

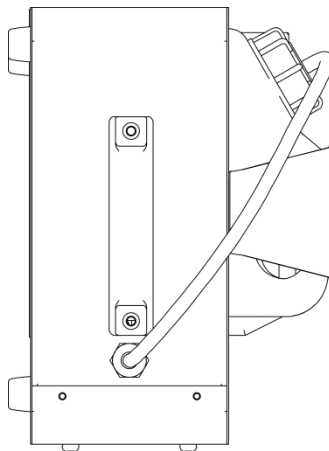
Orientation Primarily, the Geyser™ RGB Jr. is to be floor mounted in a vertical fog jet orientation. Alternatively, it may also be mounted in a floor mounting/horizontal fog jet orientation or in an overhead mounting/downward fog jet orientation; however, be sure to follow instructions closely to avoid tank spills with alternate mountings.



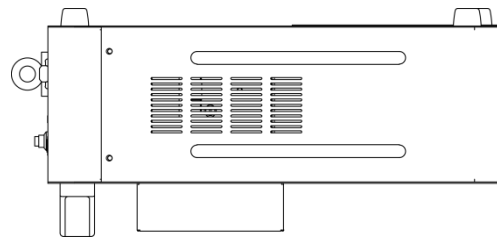
When mounting the Geyser™ RGB Jr. in any inverted position, remove the fluid tank from the holder and set it upright on an adjacent surface.

- Rigging**
- Before deciding on a location, always make sure there is easy access to the product for maintenance and fluid replenishment.
 - Make sure that the structure or surface onto which you are mounting the product can support the product's weight (see the [Technical Specifications](#)).
 - When mounting the product overhead, always use a safety cable. Mount the product securely to a rigging point, such as an elevated platform or a truss.
 - When rigging the product onto a truss, you should use mounting clamps of appropriate weight capacity. Two threaded mounting holes (size M12) are on the bottom of the product, which are appropriate for this purpose.
 - The rubber feet also serve as floor supports. When mounting the product on the floor, make sure that the product and cables are away from people and vehicles.

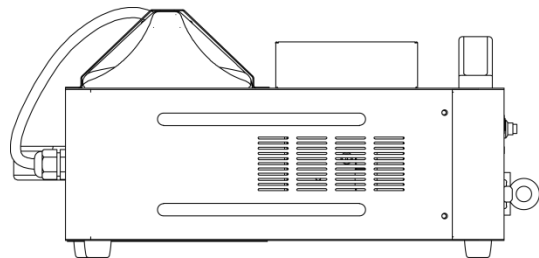
Floor Mounting



Floor Mounting
Horizontal Fog Jet

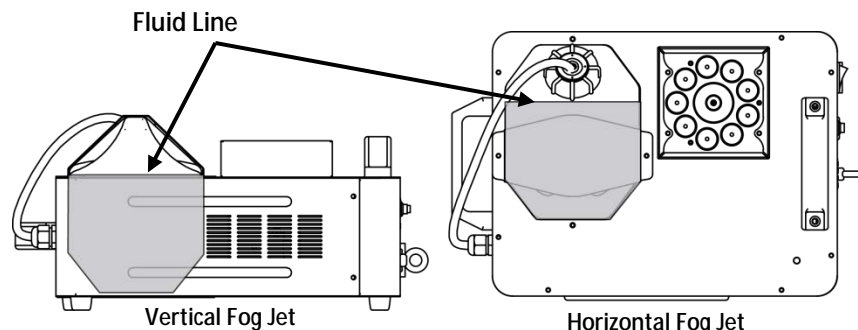


Overhead Mounting – Downward Fog Jet



Floor Mounting – Vertical Fog Jet

Fluid Tank Position

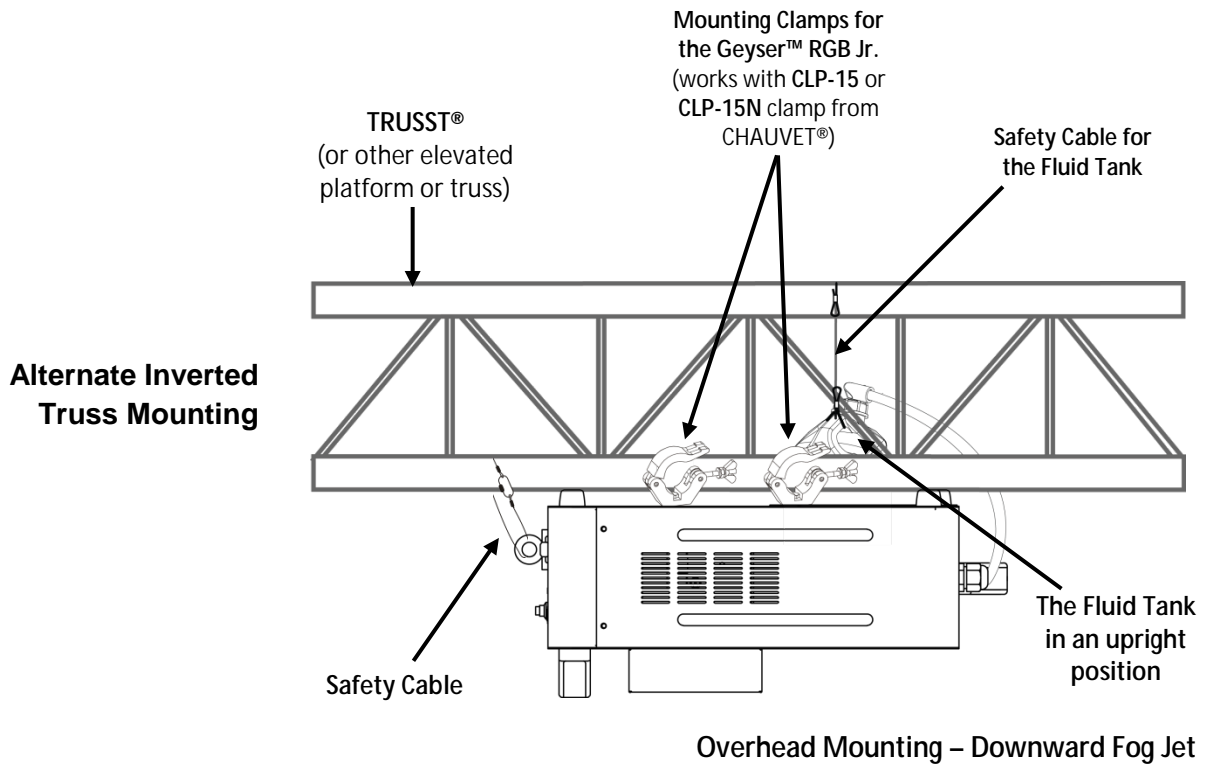


Vertical Fog Jet

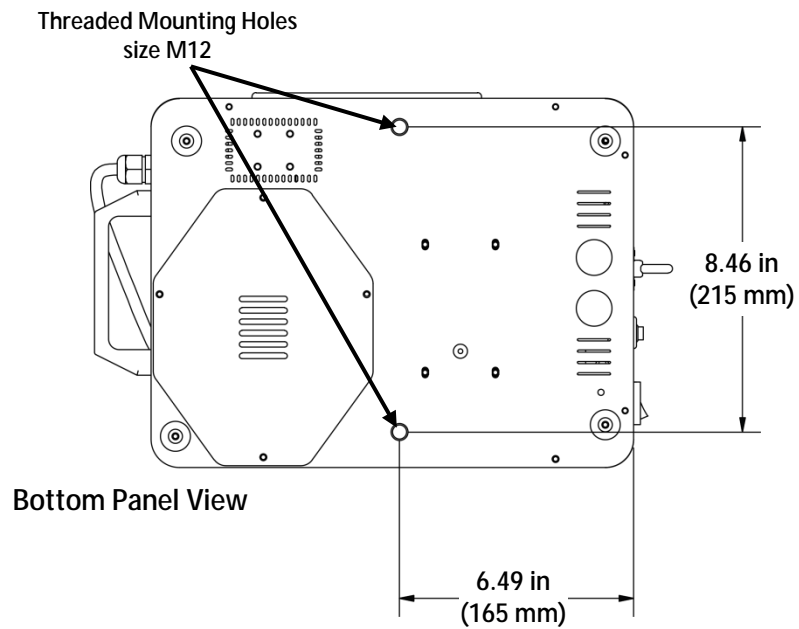
Horizontal Fog Jet



To avoid spillage with any mounting, always position the fluid tank with the tank's cap in the uppermost position above the tank's fluid line.



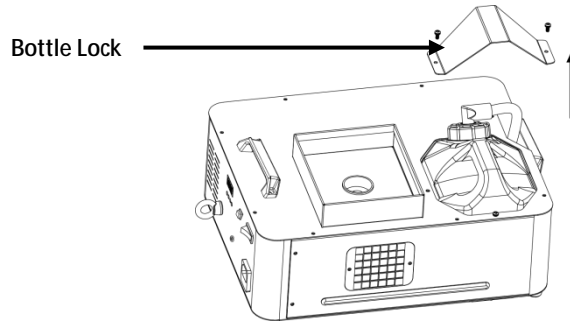
With inverted mounting, avoid spillage of the fog fluid by setting the fluid tank in an upright position. Be sure to use a safety cable for both the Geyser™ RGB Jr. and the fluid tank when rigging in this manner.



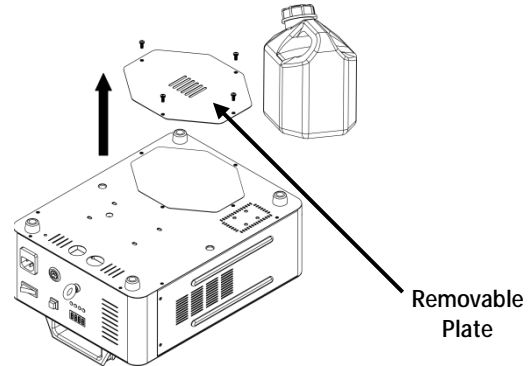
The dimensions shown for the mounting hole positions are included here to aid in installation.

Tank Inversion for Inverted Mounting

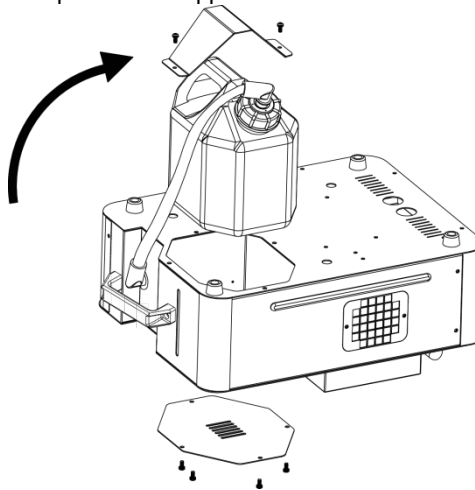
1. Remove the screws and the bottle lock to take out the tank.



2. Turn the fog machine upside down and remove the screws to take off the removable plate.



3. Attach the removable plate to the opposite side and secure the tank with the bottle lock.



4. OPERATION

Control Panel Operation

To access the control panel functions, use the four buttons located underneath the display.

Button	Function
<MENU>	Selects an operation mode or to backs out of the current menu option
<UP>	Scrolls up the list of options or selects a higher value
<DOWN>	Scrolls down the list of options or selects a lower value
<ENTER>	Activates a menu option or a selected value

Menu Map

Mode	Programming Steps	Description	
Color Program	CH-1–CH-4	oFF	Color program off (default)
		rAnd	Selects preset color program
		Co 1–Co 9	Selects preset colors
Fluid Sensor	orL	on	Selects fluid sensor to on or off
		oFF	



The Geyser™ RGB Jr. Wireless Remote Control buttons 1–4 trigger the options set in the color programs CH-1–CH-4, respectively.

Configuration (Standalone)

Set the product without a DMX controller.

1. Connect the product to a suitable power outlet.
2. Turn the product on.

Wireless Remote Control

To trigger fog output and activate the color program using the wireless remote control, do the following:

1. Plug the wireless receiver into the Remote Control Receiver port on the side of the Geysert[™] RGB Jr.
2. On the wireless transmitter, press the button assigned to the color program (1–4). The Geysert[™] RGB Jr. emits fog and activates the color program for as long as you hold down the button.



If the color program is set to OFF for any trigger button, only fog output is triggered when that button is pressed.

Programmable Color Selection

To select either the preset color program or one preset color to illuminate the fog using the wireless remote control, follow the instructions below:

1. Press **<MENU>** repeatedly until **CH-1–CH-4** shows on the display. Select **CH-1**, **CH-2**, **CH-3**, or **CH-4** to choose that color program.

Note: The color program numbers correspond with the numbered buttons on the wireless transmitter.

2. Press **<ENTER>**.
3. Use **<UP>** or **<DOWN>** to select **rAnd** (for preset color program) or **Co 1–Co 9** (to choose one of nine preset colors).

Note: Select **OFF** to turn off the color program for that button.

4. Press **<ENTER>**.
5. Repeat steps 1–4 to configure the other buttons.

5. TECHNICAL INFORMATION

Fogger Maintenance

Do not allow the fogger to become clogged. After every 40 hours of continuous operation, use CHAUVET® Fog Cleaner Quart (FCQ) through the system to prevent the accumulation of particulate matter in the heating element.

The recommended cleaning procedure is as follows.

1. Unplug the product from power.
2. Empty all fog fluid from the machine.
3. Add cleaning solution to the tank.
4. Plug in the product and allow it to warm up.
5. Run the machine in a well-ventilated area until the tank is almost empty. **Do not allow the pump to run dry!**
6. Refill with fog fluid. Run the machine briefly to clear any cleaning solution from the pump and heater.



Fog Cleaner Quart (FCQ) was specifically developed by CHAUVET® to clean your Geyser™ RGB Jr. Make sure you use FCQ regularly to increase the life of your fogger.

Storage

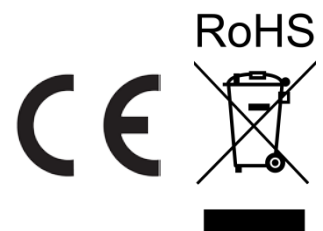
Before storing the fogger, run FCQ through the system as described in the cleaning procedure above; however, only follow steps 1 through 5. Do not refill the tank with fog fluid if storing the fogger. Cleaning the system prior to storage will help prevent any particles from condensing inside the pump or heater while not in use.



Test-run your Geyser™ RGB Jr. on a monthly basis to achieve the best performance.

6. TECHNICAL SPECIFICATIONS

Dimensions and Weight	Length	Width	Height	Weight
	16.04 in (407.5 mm)	10.39 in (264 mm)	7.55 in (191.9 mm)	16 lb (7.3 kg)
Note: Dimensions in inches rounded to the nearest decimal digit.				
Power	Power Supply Type	Range	Voltage Selection	
	Model-specific	120 VAC, 60 Hz or 230 VAC, 50 Hz	Fixed	
	Parameter	120 V, 60 Hz	230 V, 50 Hz	
	Consumption	670 W	690 W	
	Operating current	5.63 A	3 A	
	Fuse	F 7 A, 250 V	F 7 A, 250 V	
Light Source	Power I/O	US/Worldwide	UK/Europe	
	Power input connector	IEC	IEC	
	Power output connector	Edison	IEC	
	Power Cord plug	Edison (US)	Local plug	
Light Source	Type	Power	Lifespan	
	LED	3 W	50,000 hours	
	Color	Quantity	Current	
	Red	3	900 mA	
	Green	3	900 mA	
	Blue	3	900 mA	
Operation/Capacity/Consumption	Heat-up Time	Tank Capacity	Fluid Consumption	
	5 min	2.5 l	123 ml/min	
Misc.	Output	13,500 cfm		
Thermal	Maximum External Temp.	Cooling System		
	104 °F (40 °C)	Convection		
Ordering	Product Name	Item Code	UPC Number	
	Geyser™ RGB Jr.	05070758	781462211066	
	Geyser™ RGB Jr. 220 V	05070761	781462211097	



To return a product or request support:

- In the U.S., contact CHAUVET® World Headquarters.
- In the UK or Ireland, contact CHAUVET® Europe Ltd.
- In Mexico, contact CHAUVET® Mexico.
- In any other country, DO NOT contact CHAUVET®. Contact your distributor. See www.chauvetlighting.com for distributors outside the U.S., United Kingdom, or Ireland.



If you live outside the U.S., United Kingdom, or Ireland, contact your distributor of record and follow their instructions on how to return CHAUVET® products to them. Visit our website for contact details.

Returns

Call the corresponding CHAUVET® Technical Support office and request a Return Merchandise Authorization (RMA) number before shipping the product. Be prepared to provide the model number, serial number, and a brief description of the cause for the return.

You must send the merchandise prepaid, in its original box, and with its original packing and accessories. CHAUVET® will not issue call tags.

Clearly label the package with the RMA number. CHAUVET® will refuse any product returned without an RMA number.



Write the RMA number on a properly affixed label. DO NOT write the RMA number directly on the box.

Before sending the product, clearly write the following information on a piece of paper and place it inside the box:

- Your name
- Your address
- Your phone number
- RMA number
- A brief description of the problem

Be sure to pack the product properly. Any shipping damage resulting from inadequate packaging will be your responsibility. FedEx packing or double-boxing are recommended.



CHAUVET® reserves the right to use its own discretion to repair or replace returned product(s).

Contact Us WORLD HEADQUARTERS - CHAUVET®

General Information

Address: 5200 NW 108th Avenue
Sunrise, FL 33351
Voice: (954) 577-4455
Fax: (954) 929-5560
Toll free: (800) 762-1084

Technical Support

Voice: (954) 577-4455 (Press 4)
Fax: (954) 756-8015
Email: tech@chauvetlighting.com

World Wide Web www.chauvetlighting.com

UNITED KINGDOM AND IRELAND - CHAUVET® Europe Ltd.

General Information

Address: Unit 1C
Brookhill Road Industrial Estate
Pinxton, Nottingham, UK
NG16 6NT
Voice: +44 (0)1773 511115
Fax: +44 (0)1773 511110

Technical Support

Email: uktech@chauvetlighting.com

World Wide Web www.chauvetlighting.co.uk

MEXICO - CHAUVET® Mexico

General Information

Address: Av. Santa Ana 30
Parque Industrial Lerma
Lerma, Mexico C.P. 52000
Voice: +52 (728) 285-5000

Technical Support

Email: servicio@chauvet.com.mx

World Wide Web www.chauvet.com.mx

Outside the U.S., United Kingdom, Ireland, or Mexico, contact your dealer. Follow their instructions to request support or to return a product. Visit our website for contact details.